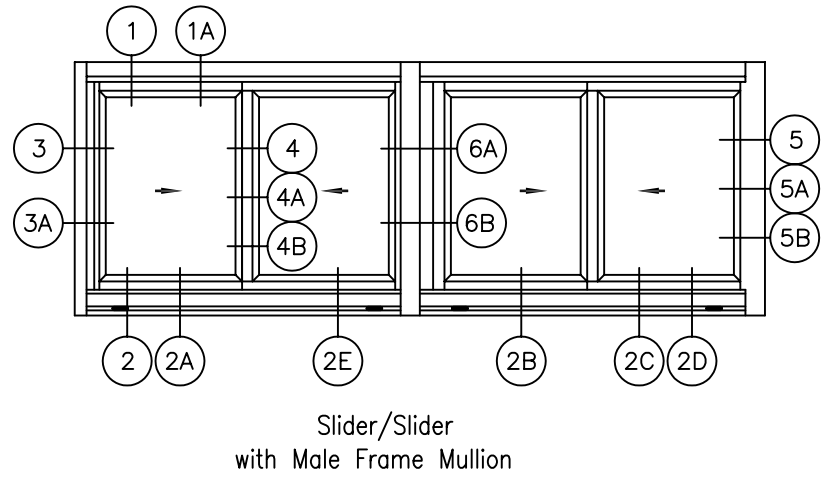
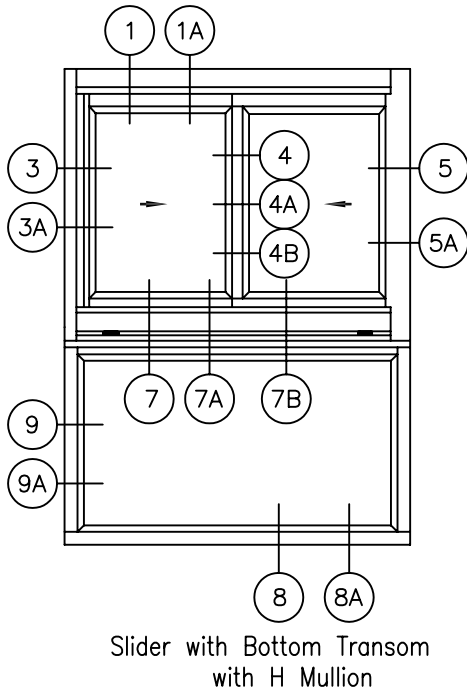
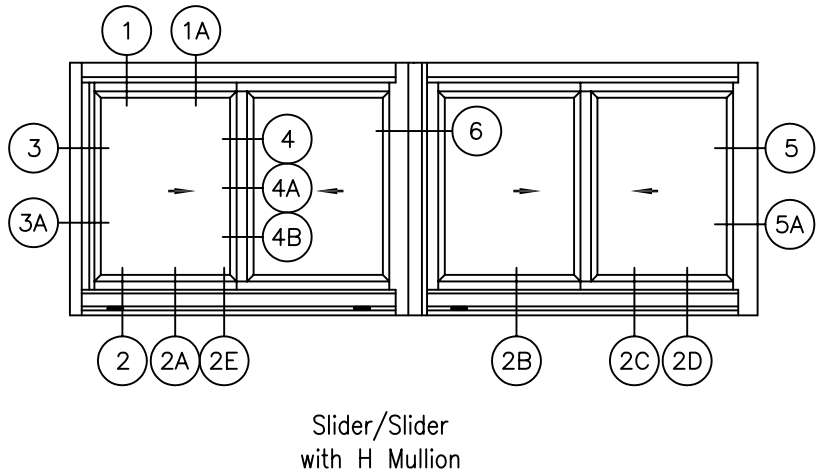
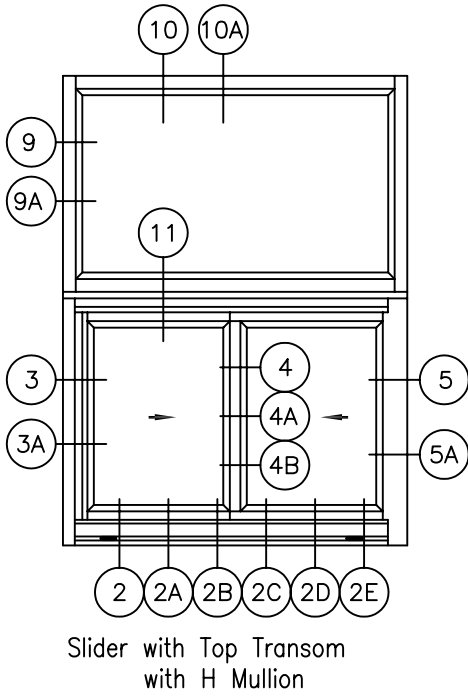
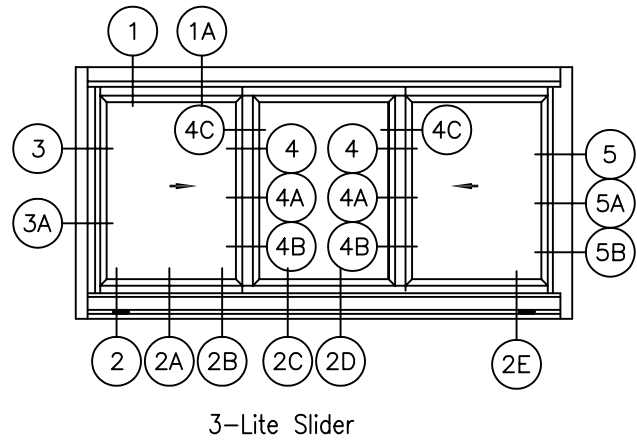
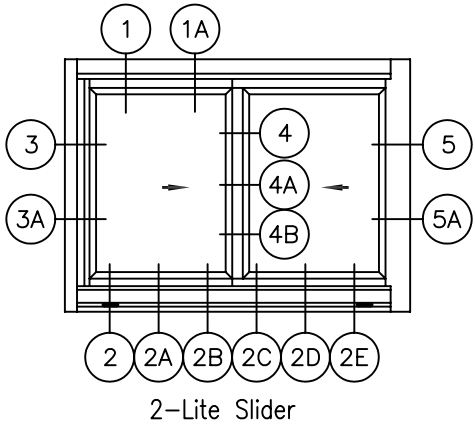
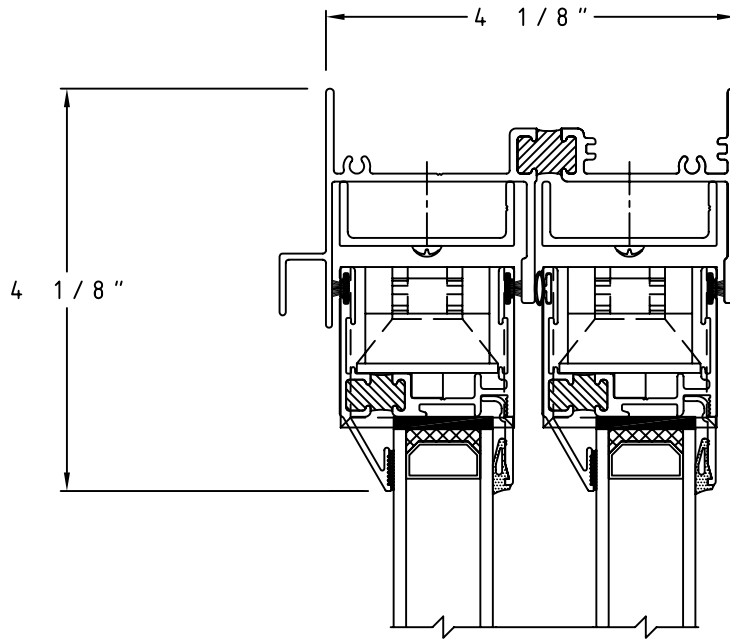


SCALE: NONE

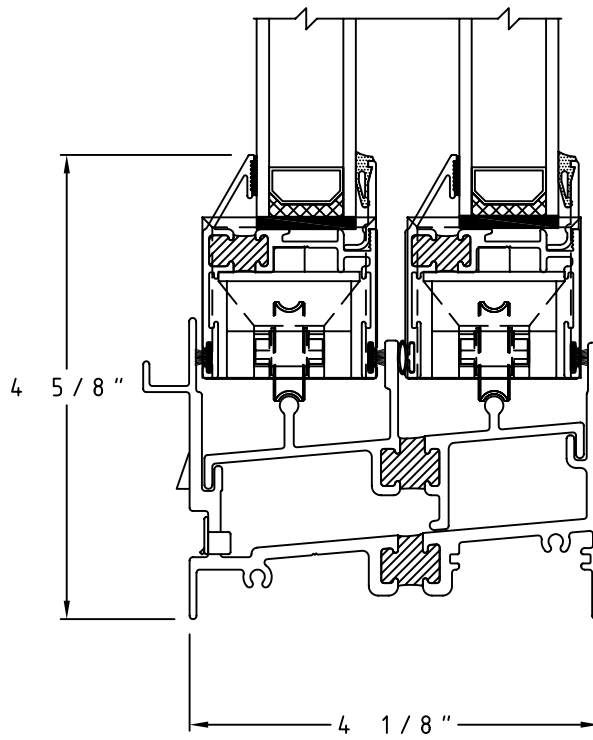


All Elevations are viewed outside looking IN.

SCALE: NONE



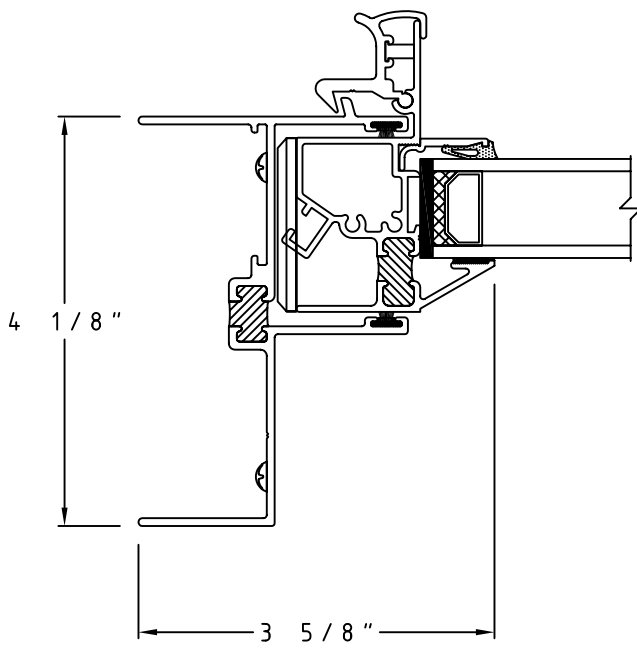
① Head



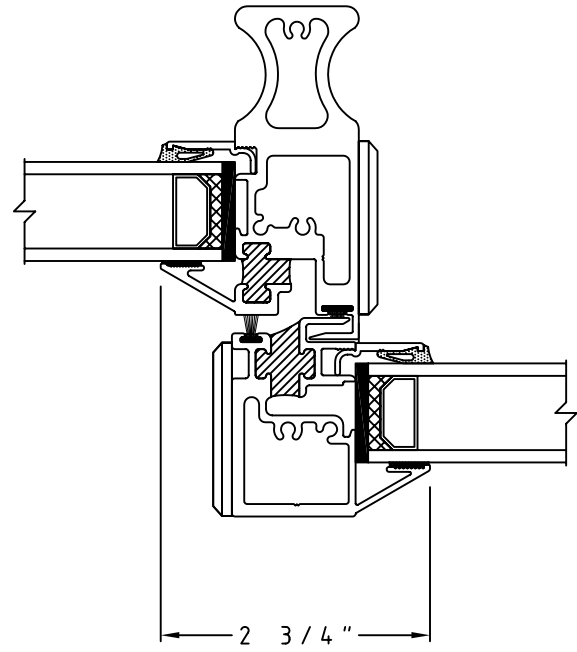
② 10# Sill

All Elevations are viewed outside looking IN.

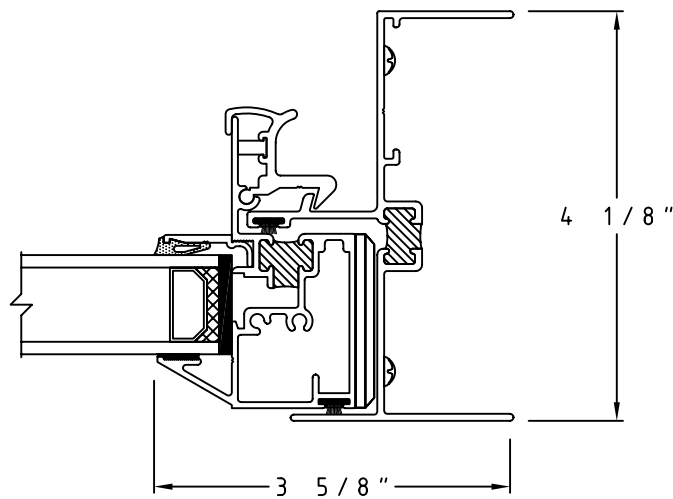
SCALE: HALF



③ Left Jamb

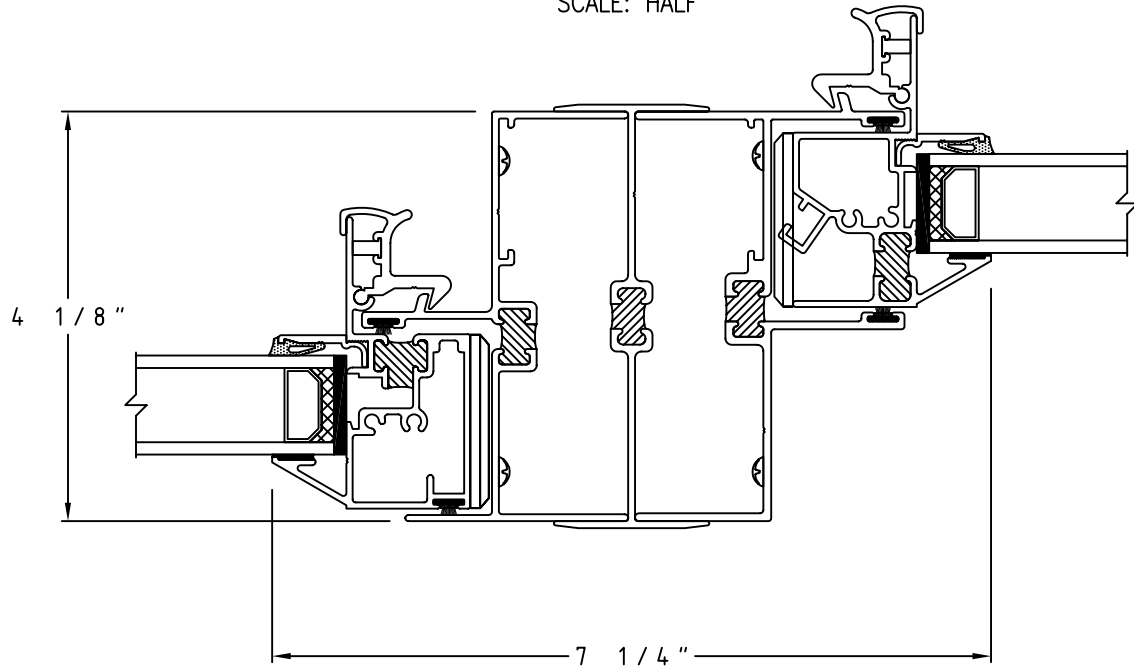


④ Interlock Mullion

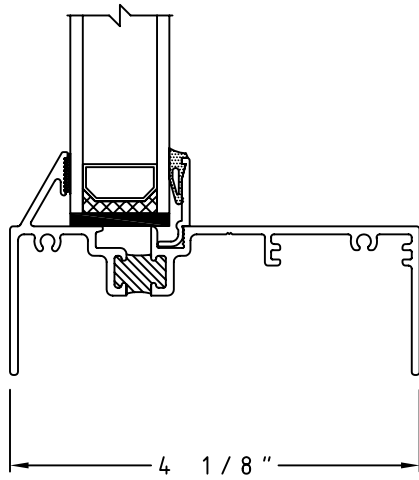


⑤ Right Jamb

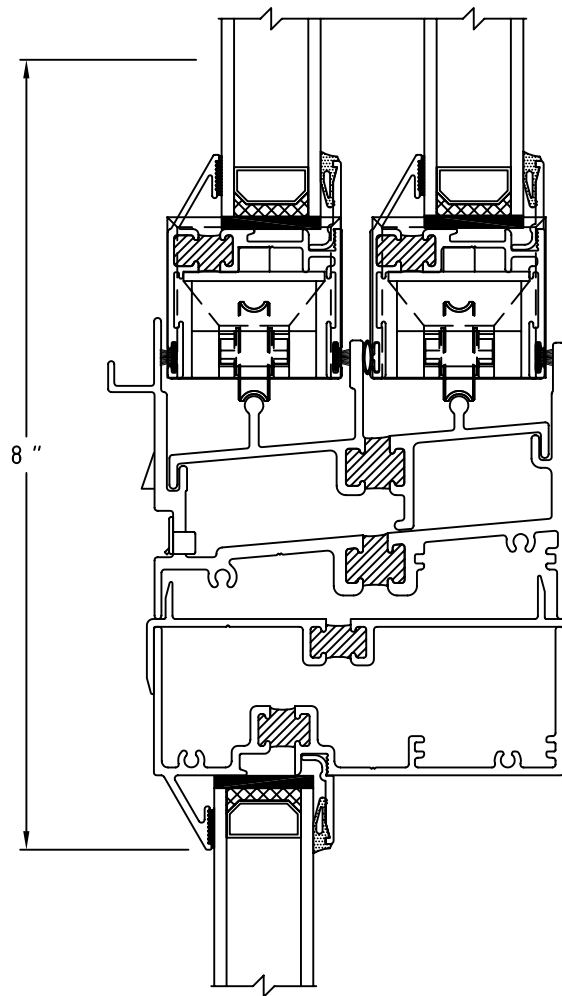
SCALE: HALF



⑥ Slider "H" Mullion

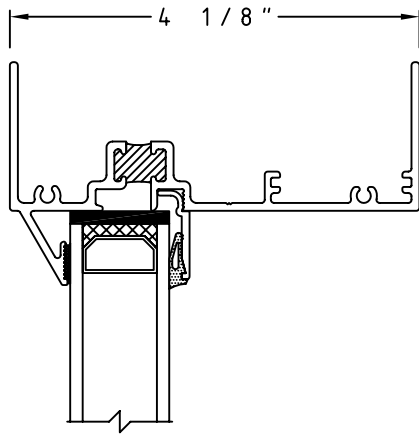


⑧ Transom Sill

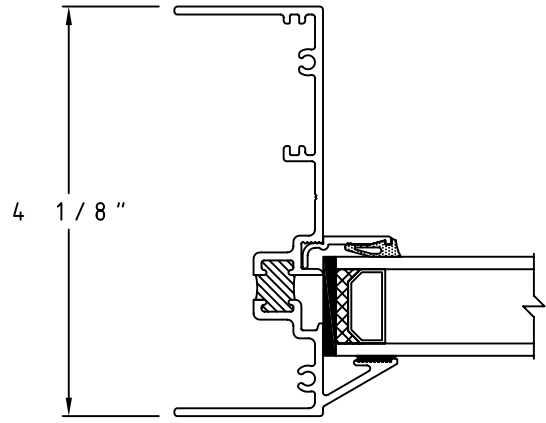


⑦ 10# Slider over Fixed with Horizontal Mullion

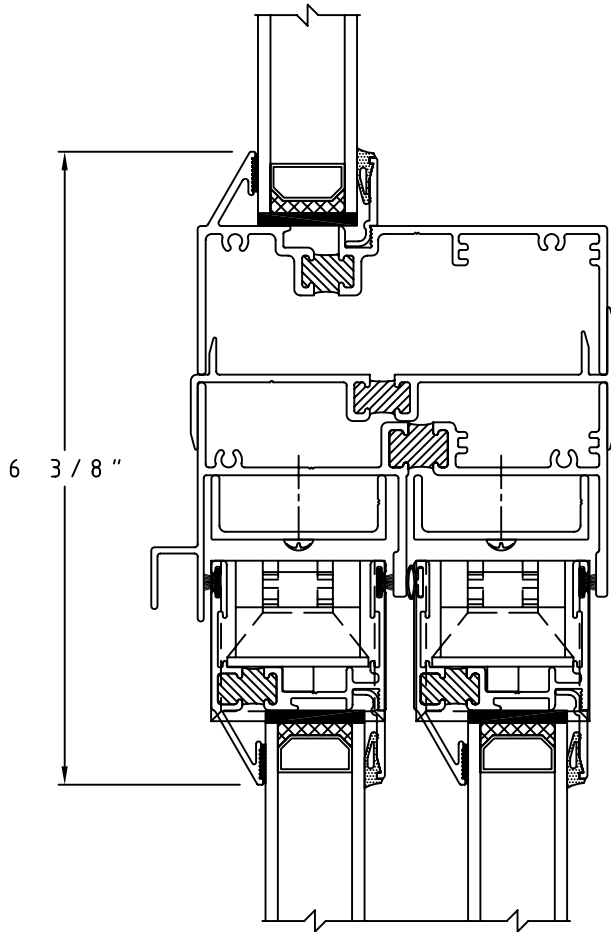
SCALE: HALF



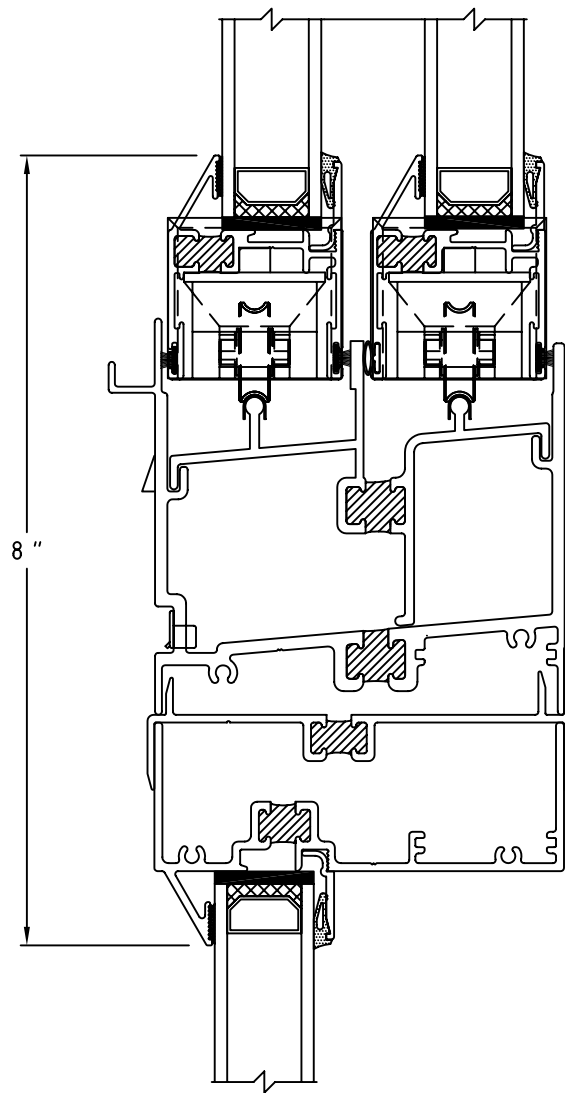
10 Transom Head



9 Fixed Jamb

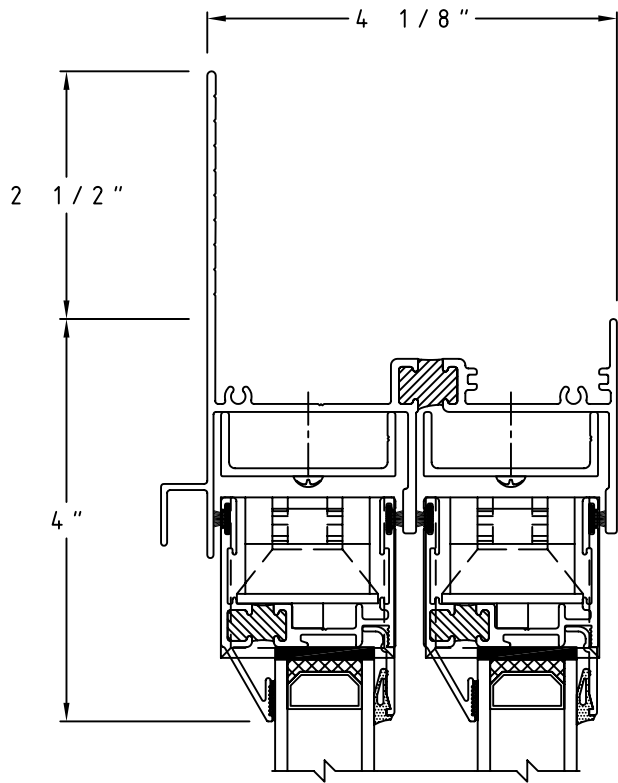


11 Fixed over Slider with Horizontal Mullion

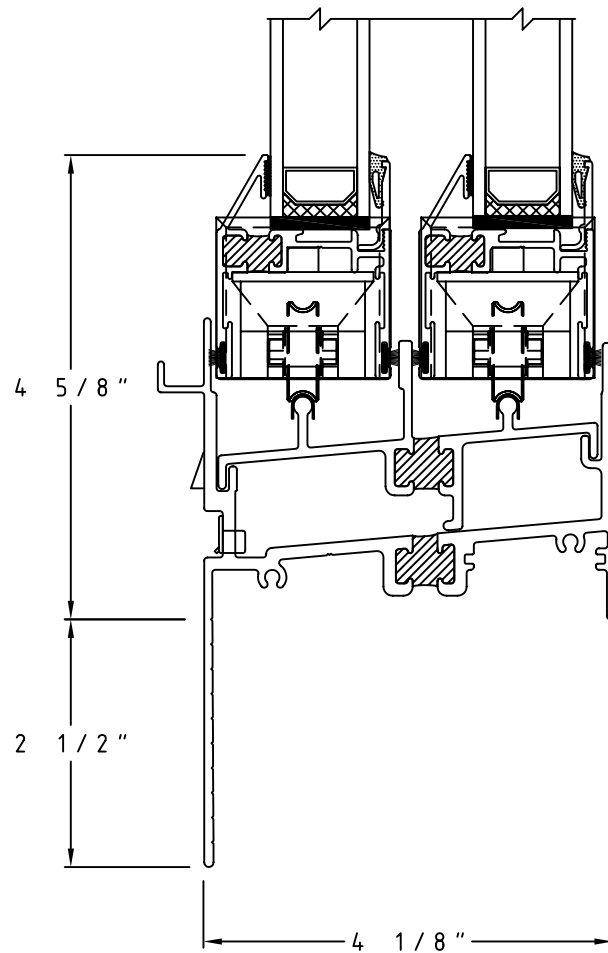


7B 15# Slider over Fixed with Horizontal Mullion

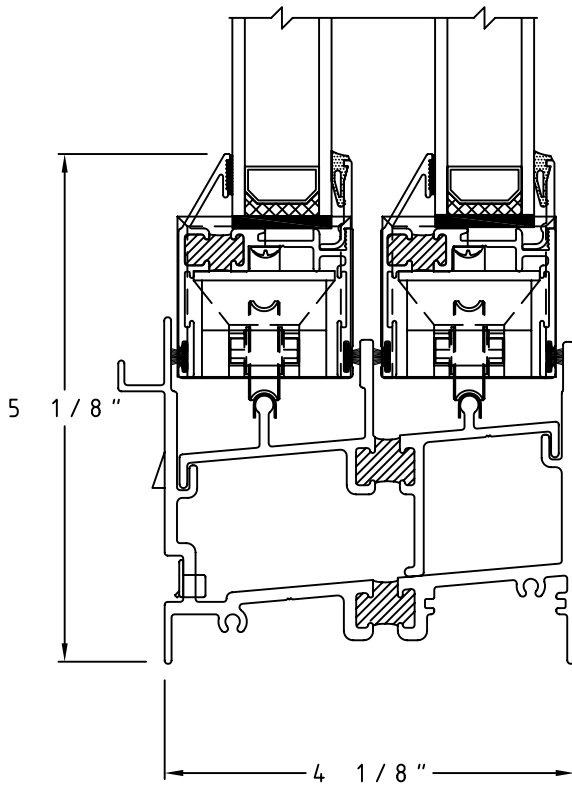
SCALE: HALF



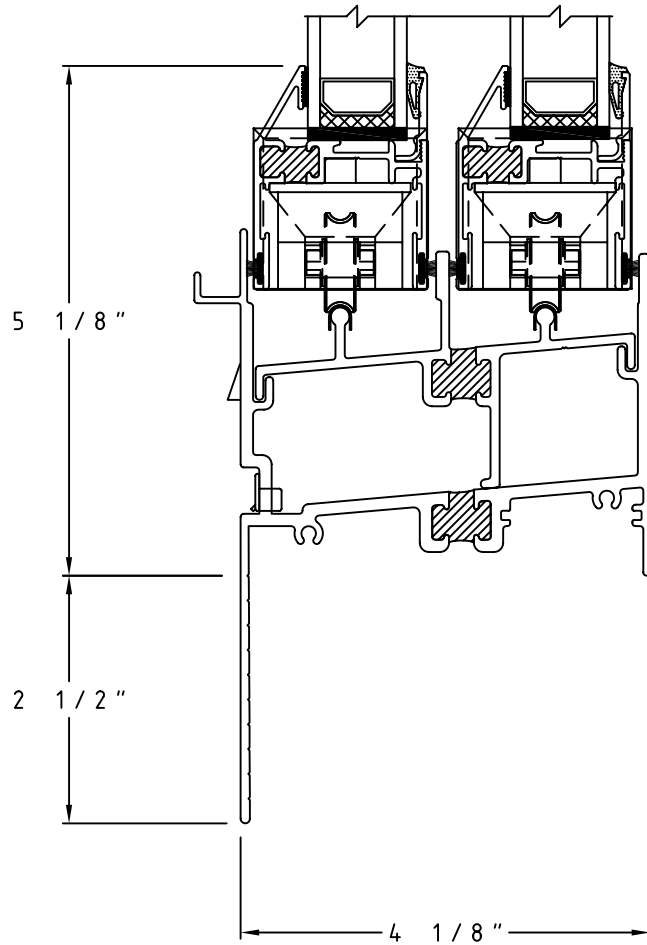
①A 2 1/2" Flange Head



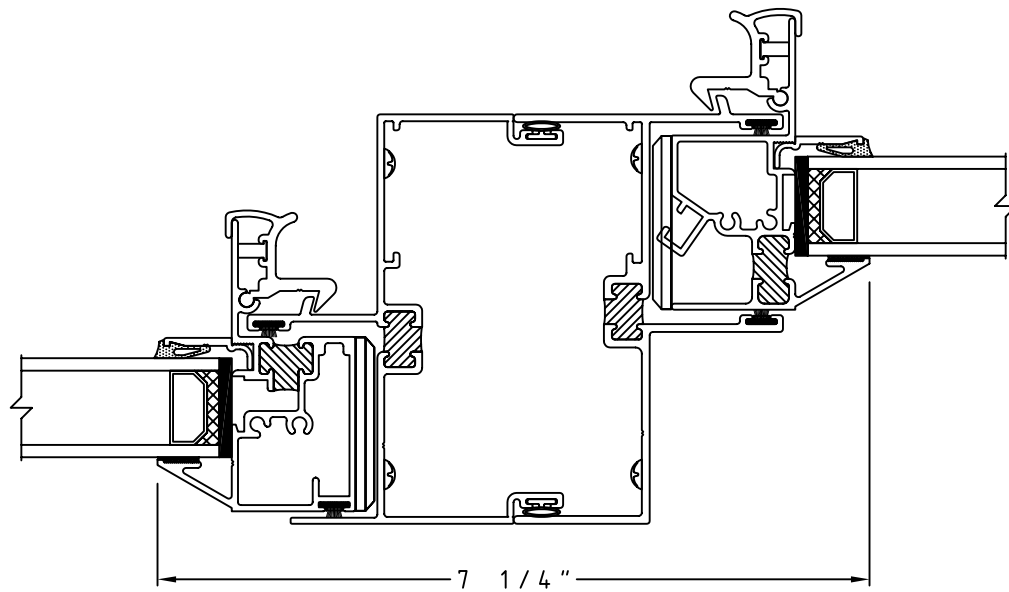
②A 2 1/2" Flange 10# Sill



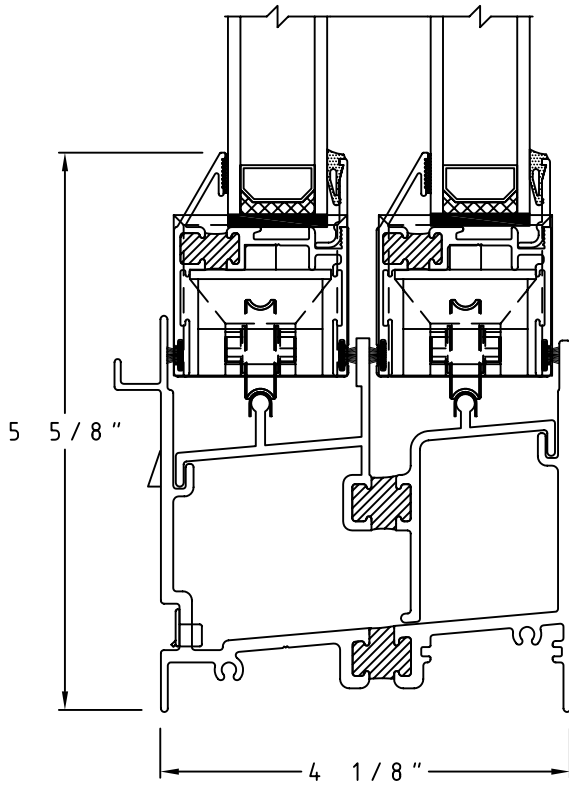
2B 12# Sill



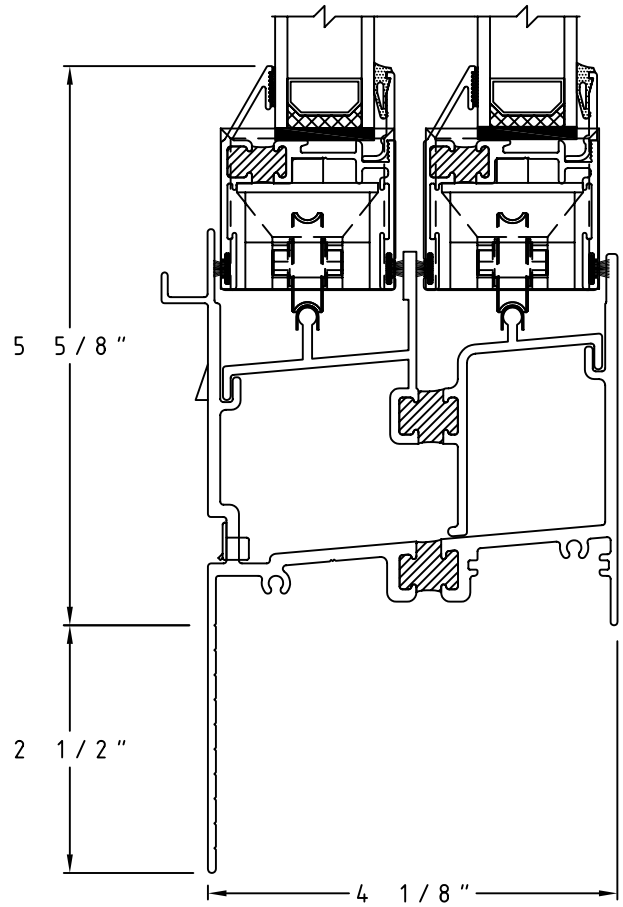
2C 2 1/2" Flange 12# Sill



6B Male-Female Mullion



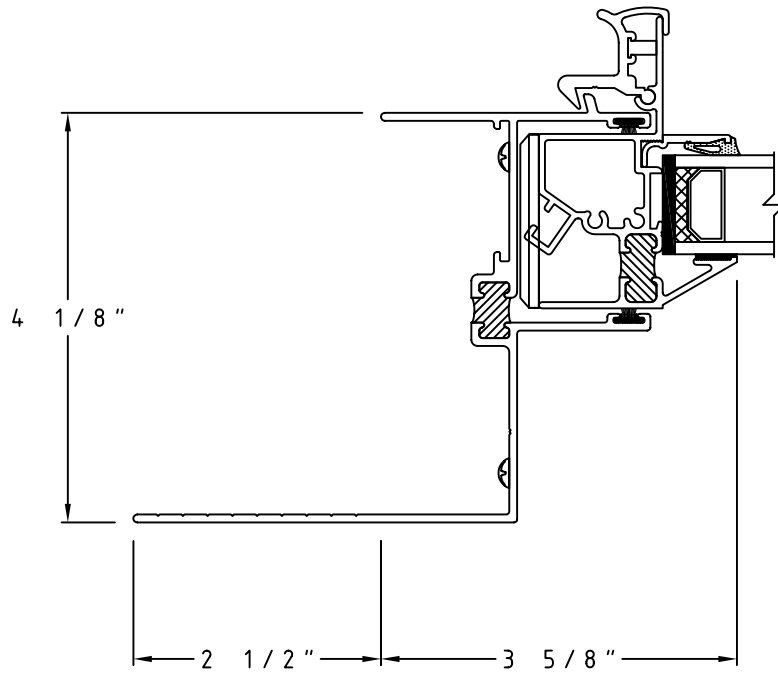
②D 15# Sill



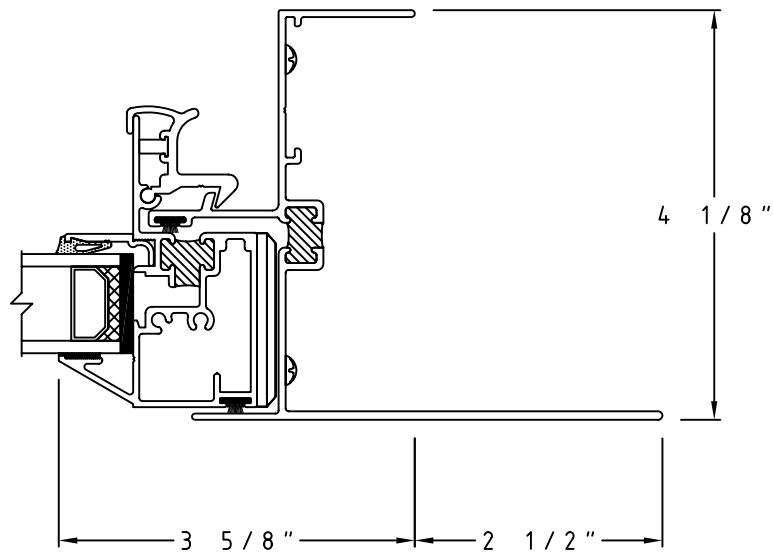
②E 2 1/2" Flange 15# Sill



SCALE: HALF

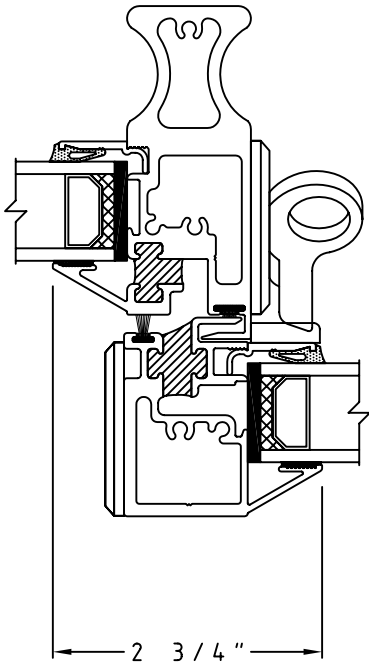


3A 2 1/2" Flange Left Jamb

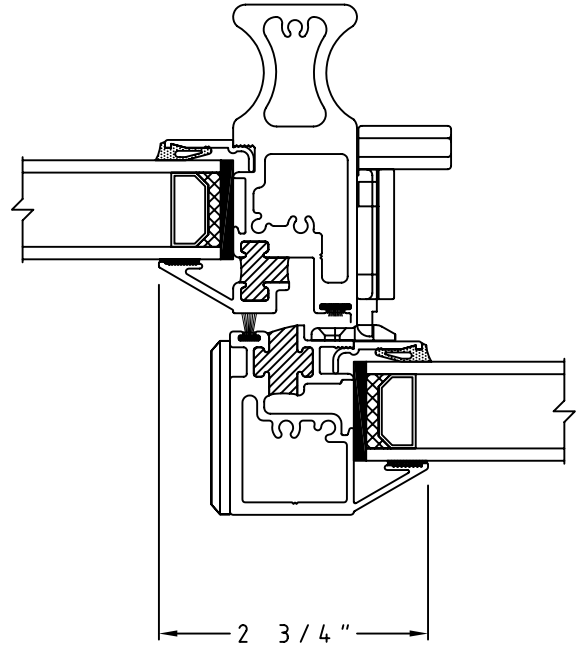


5A 2 1/2" Flange Right Jamb

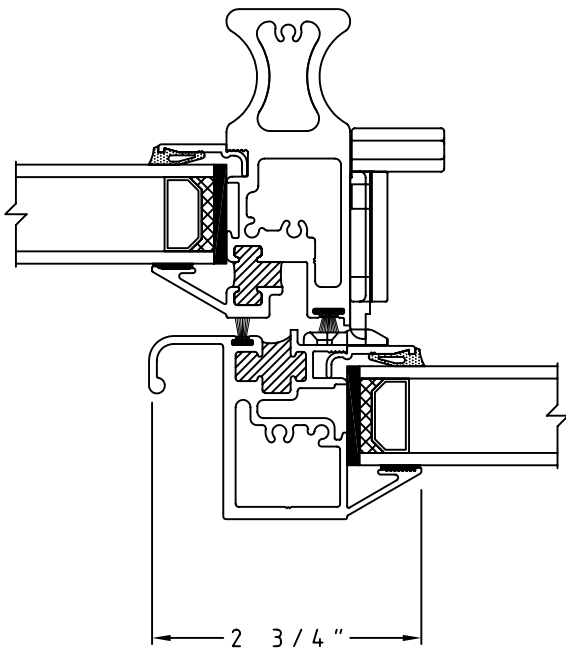
SCALE: HALF



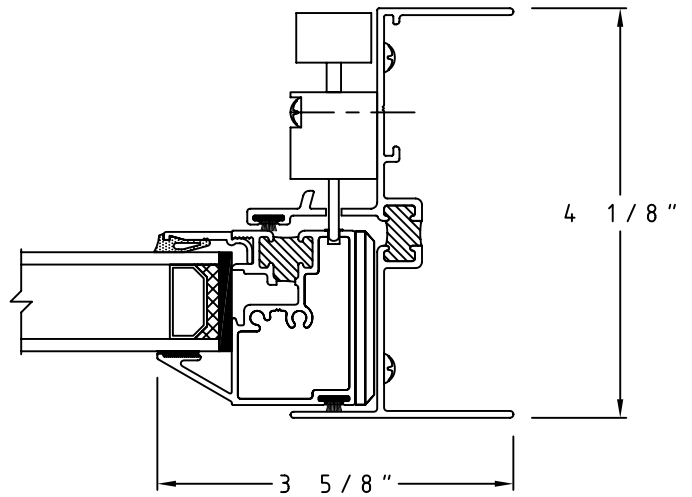
④A Interlock Mullion with Lock Option #1



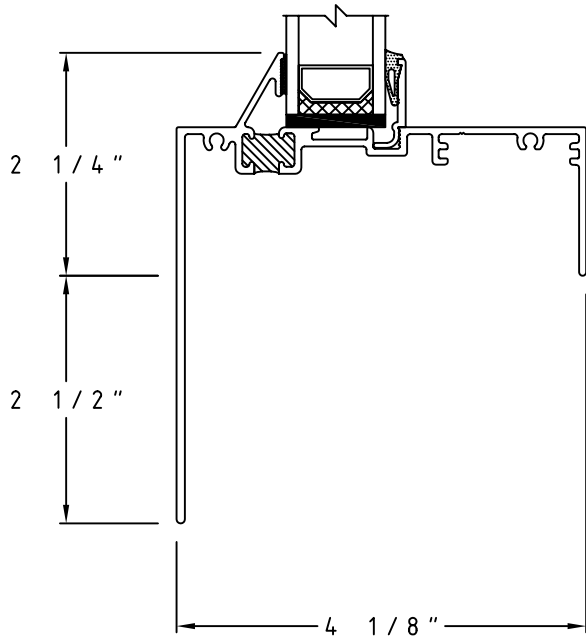
④B Interlock Mullion with Lock Option # 2



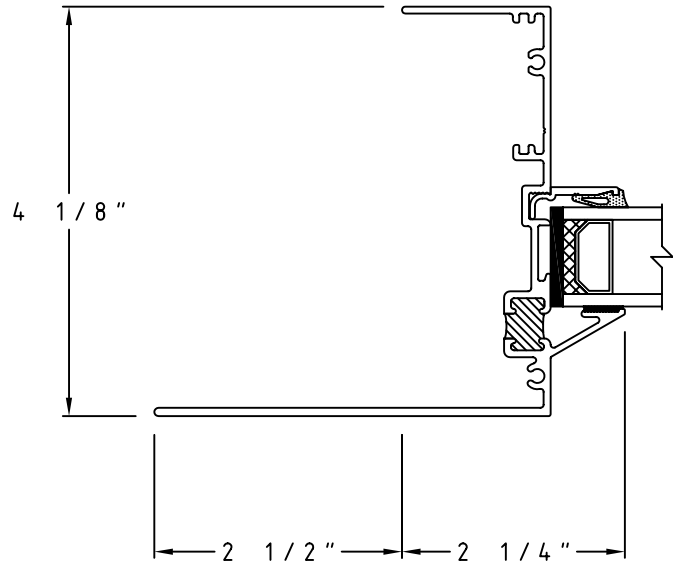
④C Bypass Interlock Mullion with Lock Option # 2



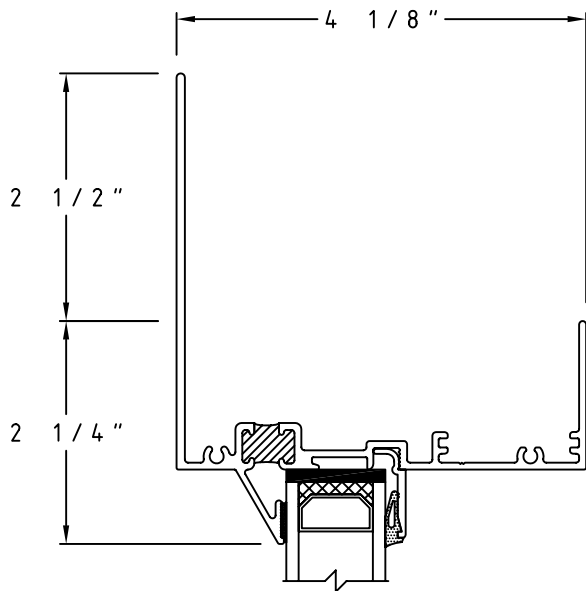
⑤B Option Bypass Sash Jamb Lock



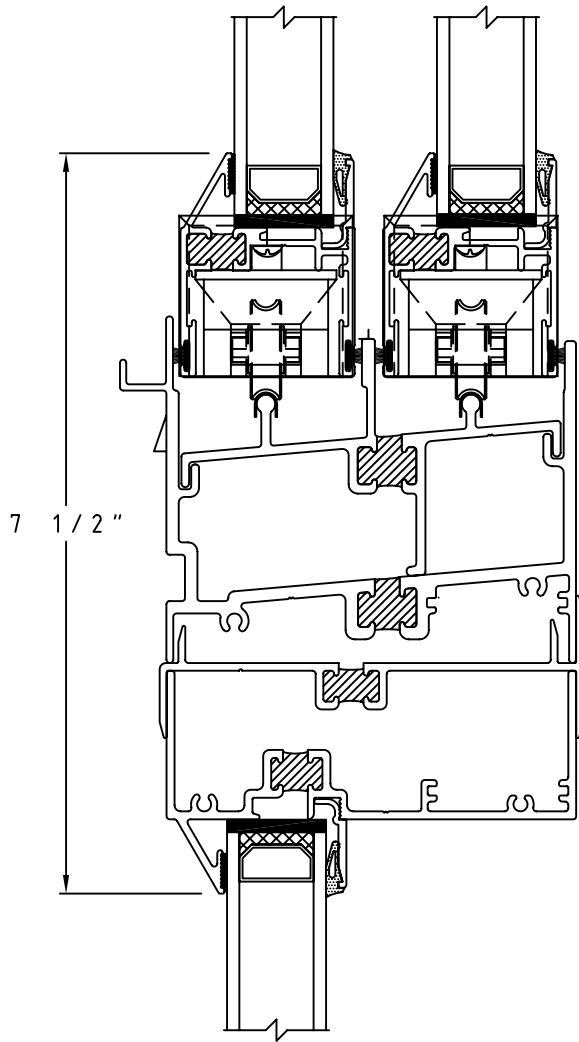
8A 2 1/2" Flange Fixed Sill



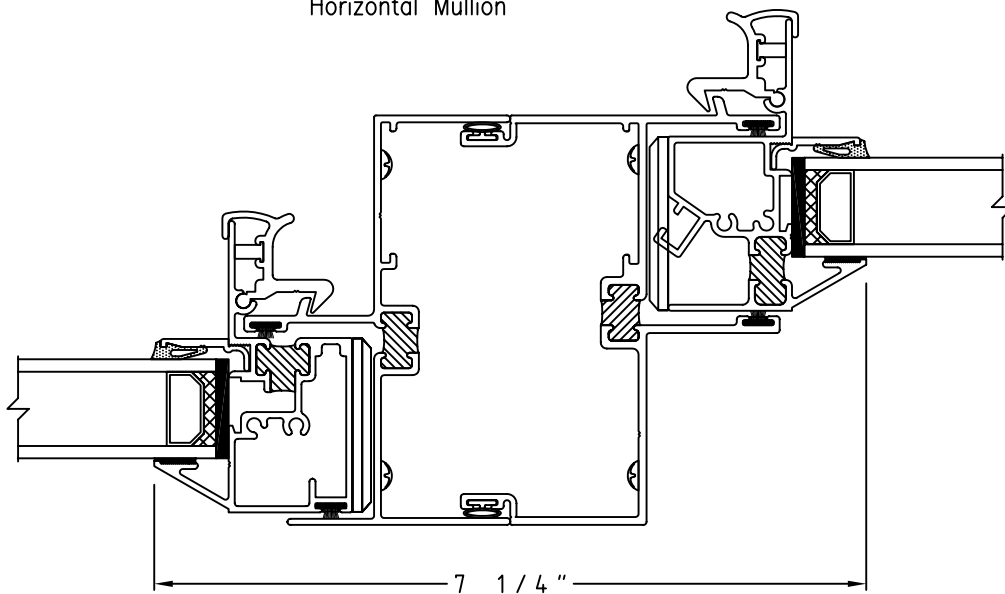
9A 2 1/2" Flange Fixed Jamb



10A 2 1/2" Flange Fixed Head



7A 12# Slider over Fixed with Horizontal Mullion



6A Female-Male Mullion